

TPL 500/300



- Dual function: Transport Platform (TP)/Material Hoist (MH)
- Robust design for max endurance in construction and refurbishment jobsite
- Simple and Reliable design
- Completely reversible right/left for the maximum flexibility in the jobsite
- New triangular mast design, with integrated bolts for the fastest erection and dismantling
- Safety Device
- Overload protection device
- Erection Ramps

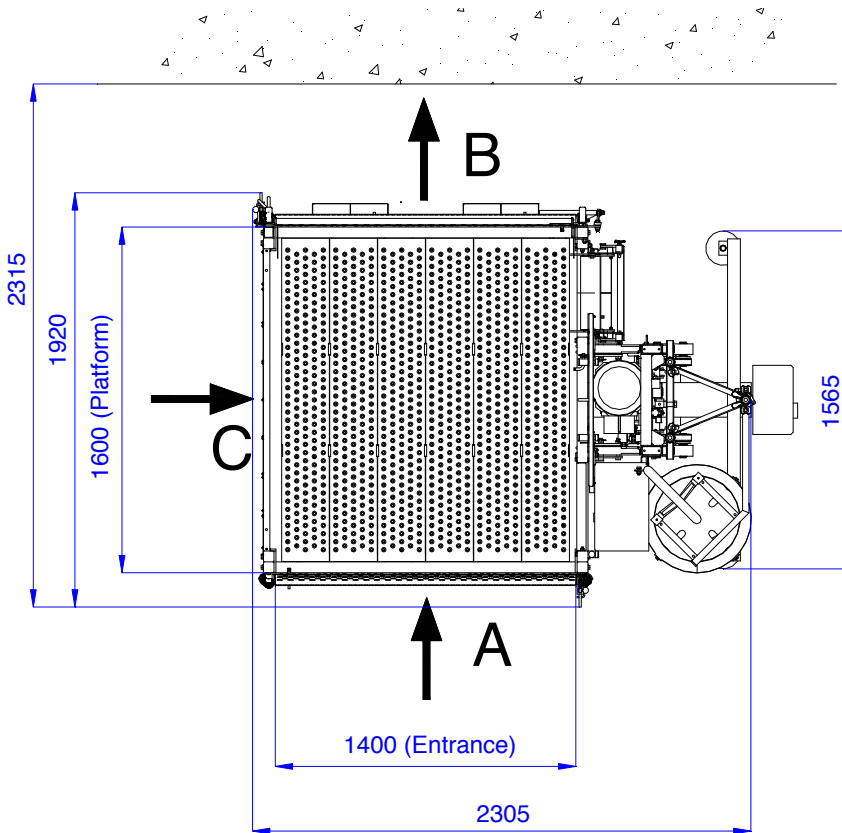
TECHNICAL SPECIFICATIONS

		TPL500	TPL300
		3Ph version	1 Ph version
Payload capacity (kg)		500	300
Number of persons max (included on payload)	TP mode	5	3
Number of persons –	MH mode	0	0
Lifting speed (m/min)	TP Mode	12	10
Lifting speed (m/min)	MH mode	24	10
Platform dimensions [W x L]		1.4 x 1.6	1.4 x 1.6
Max Lifting height (tied)		100* m	50 m
Max Tie distance (m)		7.5	7.5
Max Overhang (m)		4.5	4.5
Max 1 st Tie Height (m)		6	6
Power supply		400 V -50 Hz. 3Ph	230 V -50 Hz. 1Ph
Rated Power (kW)		3.7 (TP)/4.4 (MH)	1.5
Rated current (A)		11	9
Power consumption (kVA)		7.5	2.5
Type of mast		Triangular 350, tubular steel with integrated bolts	

* Increased lifting height on request.

TPL 500/300

Main dimension

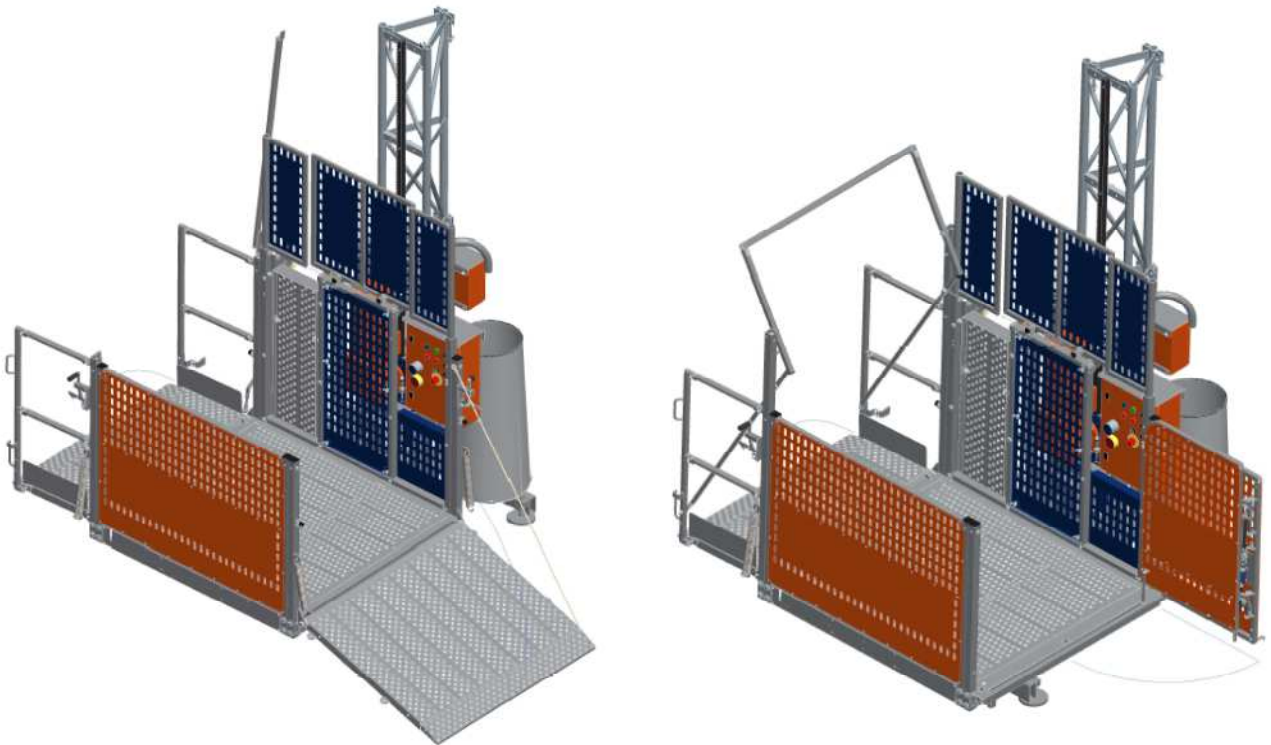


Weights (kg)

Base Unit	850
Mast	50
Tie In	42
Cable Guide	4

Entrance exit on A, B, C side
Exit on A and B side

Different alternative ramp/door system



www.alimakhek.com

Alimak Hek S.r.l. is ISO 9001 certified.



Pictures are illustrative only and do not necessarily show the configuration of products on the market at a given point in time. Products must be used in conformity with safe practice and applicable statutes, regulations, codes and ordinances. Specifications of products and equipment shown herein are subject to change without notice. Copyright © 2010 Alimak Hek Group AB. All rights reserved. Alimak Hek, Alimak and Scando are registered trademarks of Alimak Hek Group AB.